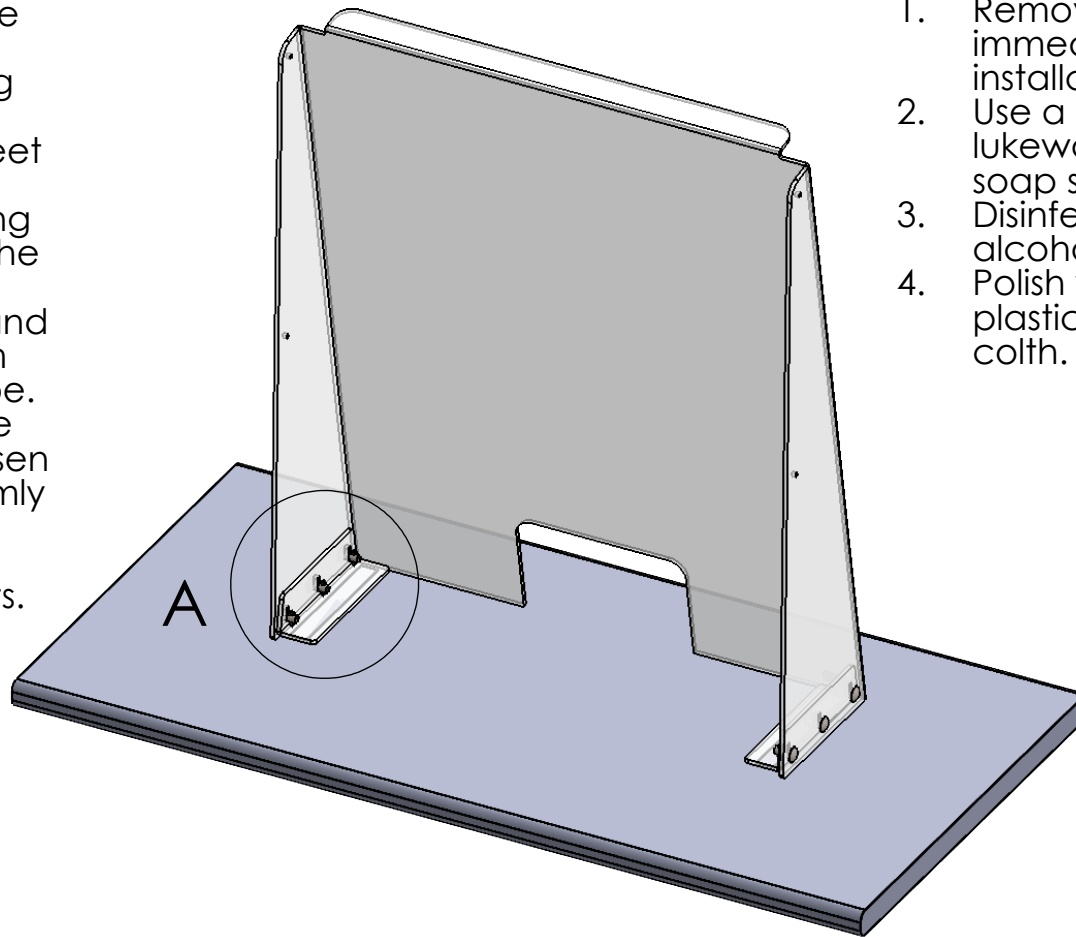
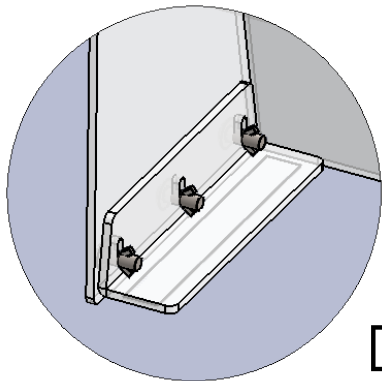


1. Ensure the selected area is clean and free of any dirt or grease.
2. Use the supplied wing nuts and screws to attach the support feet as shown.
3. Gently tighten the wing nuts with the feet in the upper most position.
4. Tip the unit forward and remove the liner from the double sided tape.
5. Position the unit in the desired location, loosen the wing nuts and firmly press the feet into place.
6. Tighten the wings nuts.



Polycarbonate Care Instructions

1. Remove Protective masking immediately following installation.
2. Use a clean, soft cloth with lukewarm water and a mild soap solution.
3. Disinfect with rubbing alcohol.
4. Polish with a high quality plastic polish and a soft colth.



DETAIL A
SCALE 1 : 5



UNLESS OTHERWISE SPECIFIED:

DIMENSIONS ARE IN INCHES
 TOLERANCES:
 FRACTIONAL ± 1/16"
 ANGULAR: MACH ± .25° BEND ± 1°
 ONE PLACE DECIMAL ± .060"
 TWO PLACE DECIMAL ± .030"
 THREE PLACE DECIMAL ± .015"

	NAME	DATE
DRAWN		
CHECKED		

PROPRIETARY AND CONFIDENTIAL
 THE INFORMATION CONTAINED IN THIS DRAWING IS THE SOLE PROPERTY OF BRAMUR PLASTICS. ANY REPRODUCTION IN PART OR AS A WHOLE WITHOUT THE WRITTEN PERMISSION OF BRAMUR PLASTICS IS PROHIBITED.

MATERIAL
FINISH
COLOUR
DO NOT SCALE DRAWING

CUSTOMER:

DESCRIPTION:

Instructions

SIZE	DWG. NO.	REV
A	15290IN	
SCALE: 1:20	WEIGHT:	SHEET 1 OF 1